

Carefully designed, the new 250W IRG lamp has been optimised in order to meet most physiotherapist's requirements, wishing to work with a simple and yet efficient infrared lamp. With a higher resistance against impacts improved by the new 8/10e steel reflector and the fixed handle which guarantees optimal manoeuvrability, the IRG infrared lamp has been conceived in order to last.

Most common applications:

Physiotherapy, rehabilitation
 Heating purpose for specific medical interventions
 Muscle and arthritis pain relief



Reduced size,
switch on case



Wall bracket



Table bracket



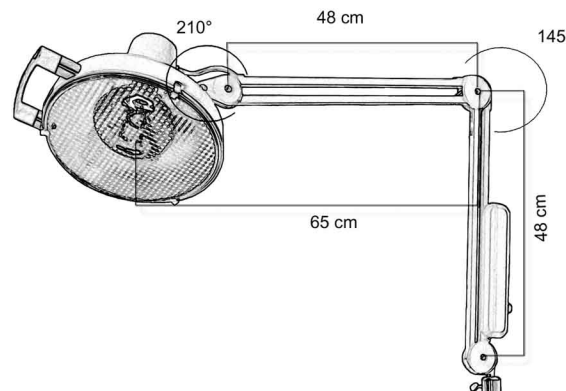
Heavy rolling stand
5 castors



Strengthened reflector
equiped with handle

Technical features

| | |
|-----------------------------|--|
| Heating source : | 250 W infrared bulb |
| Equipment : | On/Off switch, fuses-holders on the lamp body |
| Power: | 250 W +/- 10% |
| Dimension and weight : | wall/table bracket : 3 kg - rolling stand: 12 kg |
| Range : | 1100 mm, adjustable height from 90 to 190 cm |
| Voltage : | 220-240V/50-60HZ |
| Bulb's life : | 1000 hours |
| Coating : | oven baked epoxy painting |
| Class and electrical type : | class I, type B |



CE EN 60-601-1: security for medical devices
 EN 60-601-1-2: electromagnètical compatibility of electrical medical devices
 complies with the European standards of EEC 93/42 directive